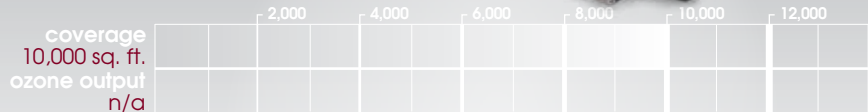




ACTIVTEK INDUCT 10000



DUCT MOUNTED SYSTEM

description

- Duct or plenum installed natural air system
- Discreet or concealed installation
- 120/220 volt optional installation
- UV bulb monitoring indicator included
- Low maintenance – no cleaning required

applications

- Any building with challenging odor, visible smoke, or microbials on surfaces with existing ducts
- Restaurants
- Bars
- Businesses

the technology

The activTek INDUCT 10000 substantially reduces odors, visible smoke in the air, and microbial populations on **surfaces***, utilizing the patent pending ActivePure technology. ActivePure consists of a special UV light and photocatalyst

target, creating an Advanced Oxidation Process containing several friendly oxidizers.

*Scientific tests have demonstrated the use of activTek air purifiers substantially reduce microbial populations on **surfaces** – including but not limited to Escherichia coli, Listeria monocytogenes, Streptococcus spp., Pseudomonas aeruginosa, Bacillus spp., Staphylococcus aureus, Candida albicans, and S. chartarum. These statements have not been evaluated by FDA. These products are not intended to diagnose, treat, cure or prevent any disease.



specifications

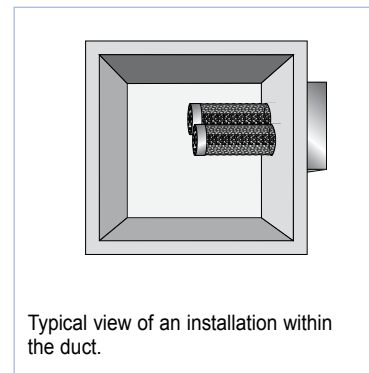
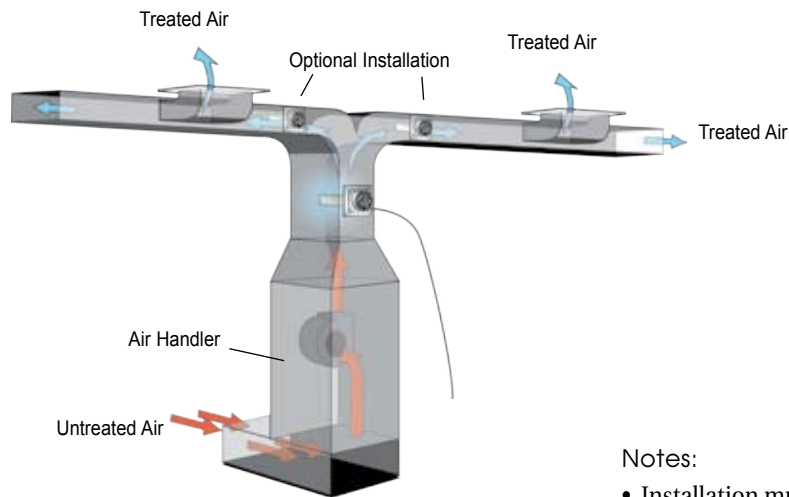
INDUCT 10000	UK40426	
electrical	120/220 VAC, 50/60 Hz	40 watts*
mechanical	UV bulb monitoring system installed	safety interlock switch installed
dimensions	10" W x 11.25" H x 17" L	25.5cm W x 28.5cm H x 43cm L
weight	4 pounds	1.8 kilograms
coverate	up to 10,000 square feet	
max temp	200°F	

The activTek INDUCT 10000 is ideally applicable to situations in which accessible ducts already exist or will be installed and where low maintenance, no cleaning, or discreet installation might also be an advantage.

applications list

- Restaurants
- Bars
- Businesses
- Hospitals
- Hotels
- Nursing homes
- Office buildings
- Churches

installation details



Typical view of an installation within the duct.

- May be wired into 120/220 volt connections.
- Four mounting holes in chassis provide swift installation.

The activTek INDUCT 10000 unit size is scaled to accommodate the various air flow rates of different HVAC systems. Determine the area you are intending to install activTek INDUCT 10000 into, then pick the model number that corresponds to that area.

Notes:

- Installation must be by a licensed HVAC professional.
- To properly size the activTek INDUCT 10000 when only the tonnage is known or given:
 - 1 ton equals 550 CFM (cubic feet per minute) of air flow.
 - Example: 18 ton AC unit = $18 \times 550 = 9,900$ CFM or 1 activTek INDUCT 10000 (14" dual probe unit).
 - Air flow is sometimes listed as SCFM (standard cubic feet per minute) which is the same thing and calculated the same way.
 - A general 'rule-of-thumb' is 1 CFM equals 1 square foot of area served.

Distributed By: